

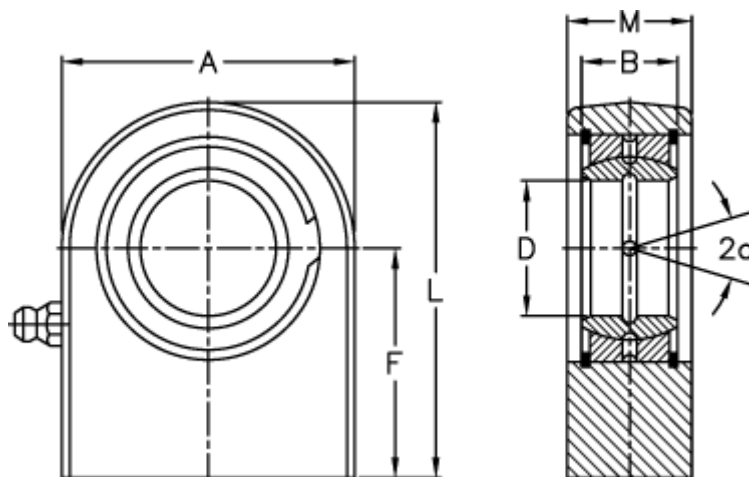
Data Sheet



Article number: 03556100

Description: Fluro hydraulic rod end FS 100N

Measures



A	= 250	Static load C0 (kN) = 1500
a (degrees)	= 7	Weight = 33100
B	= 70	
D	= 100	
Dynamic load C (kN)	= 610	
F	= 170	
L	= 295	
M	= 70	